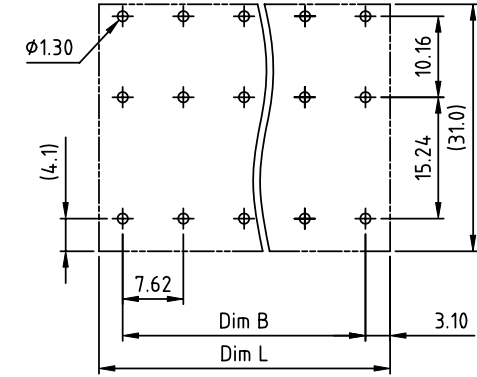
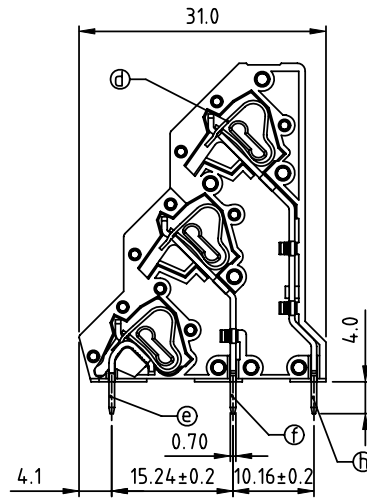
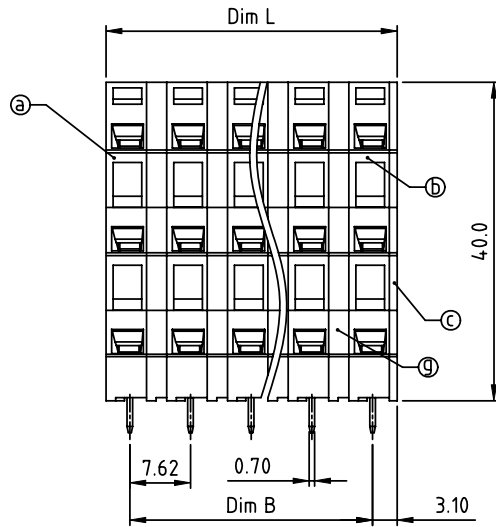


PRODUCT NUMBER	PITCH
HRxx50x000J0G	7.62mm



RECOMMENDED P.C.B LAYOUT
TOP VIEW

Material:

- ItemⒶ Terminal side housing:Thermoplastic (UL94V-0)
- ItemⒷ Terminal housing:Thermoplastic (UL94V-0)
- ItemⒸ Terminal cover:Thermoplastic (UL94V-0)
- ItemⒹ Spring clamp:Stainless steel
- ItemⒺ Short pin: Brass, Tin plated
- ItemⒻ Middle pin: Brass, Tin plated
- ItemⒼ Long pin:Brass, Tin plated
- ItemⒽ Empty body:Thermoplastic (UL94V-0)

Electrical:

- Voltage rating: 300V
- Current rating: 10A
- Wire range:
- Solid wire(AWG): 12-28
- Stranded wire(AWG): 12-28
- Wire strip length: 5-6mm
- Withstanding Voltage: 1.6KV
- Operating temperature: -40°C to +115°C
- Soldering temperature: 260°C±5°C/5 Sec
- Safety Approval: cULus

N=Number of poles
Dim L=(N/3-1)×7.62+6.08
Dim B=(N/3-1)×7.62

Poles	Dim L	Dim B
3×2p-3×4p	±0.10	±0.10
3×5p-3×8p	±0.15	±0.15
3×9p-3×12p	±0.20	±0.20
3×13p-3×16p	±0.30	±0.30

PART NO.: HR xx 50 x 000J0 G

No. of poles	Color	RoHS compliant
0	Black (RAL9005)	(lead<4%)
06	Red (RAL3001/D)	In copper Alloy
09	3x2 poles Orange(RAL2011/P)	
...	4 Yellow(RAL1018/A)	
...	5 Green(RAL6018/T)	
48	3x16 poles 6 Blue (RAL5015/A)	
	8 Grey(RAL7004/P)	
	9 White(RAL1102)	
	C Multiple colors	

mat'l. code		surface ASME Y14.5	tolerance ASME Y14.5	projection	product family TERMINAL BLOCK
ltr	ecn no	dr	date	tolerances unless otherwise specified	title
				angles X°±1°	TERMINAL BLOCK SPRING CLAMP,45D WIRE INLET,3-LEVEL, PARALLEL TYPE
				scale	sheet 1 of 1 size
				dr EVIN ZHONG 053014	HRxx50x000J0G A4
				enr EVIN ZHONG 053014	
				chr HANKE FENG 053014	
				appd SHI JUN 053014	type CUSTOMER Drawing
sheet index	revision	A	sheet	1	