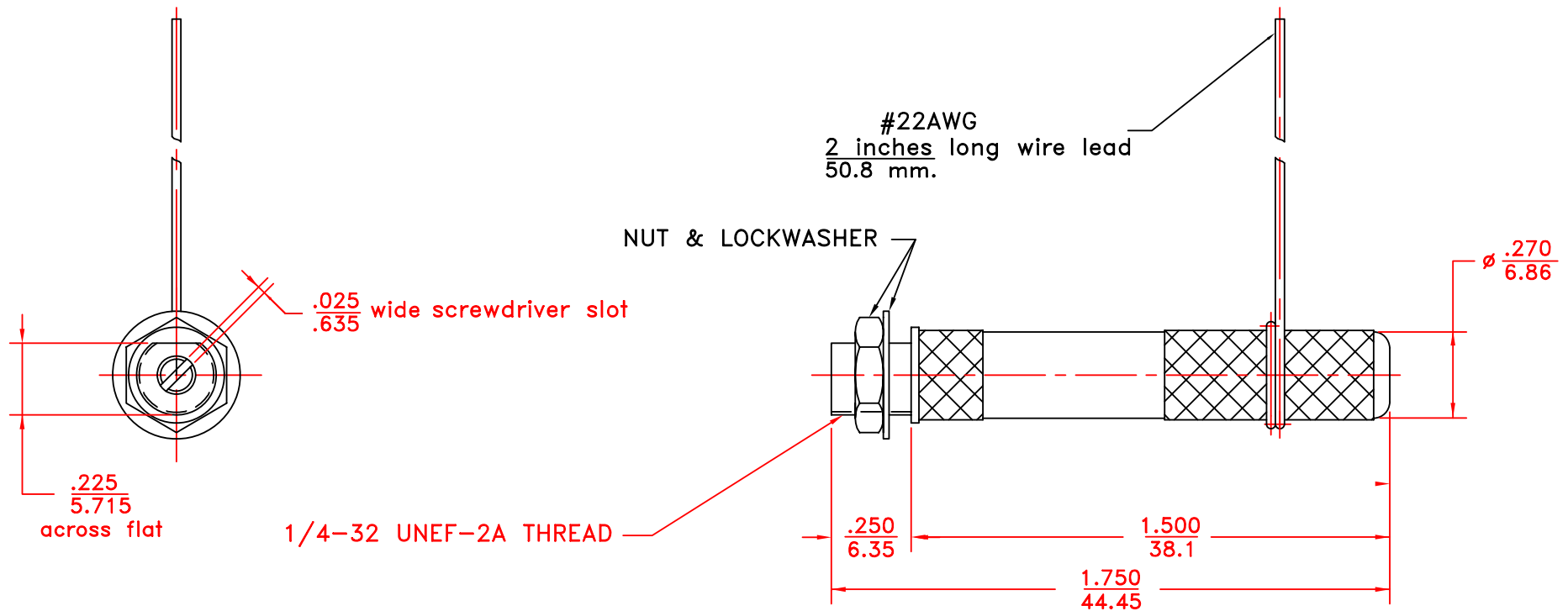


REV	DESCRIPTION	DATE	APP
00	NEW DRAWING	06/08/14	D.D.



NOTES:

1. Capacitance: $C_{max} \geq 10\text{pF}$
2. Capacitance: $C_{min} \leq 1.0 \text{ pF}$
3. Working voltage: 6.0 kVDC
4. Withstanding voltage: 12 kVDC
5. Quality factor "Q" @ 25 MHz over 1500
6. Torque .5 to 1.0 oz-in
7. Construction: 40 psi sealed, non-magnetic
8. Dimensions: in/mm
9. Operation temperature: -55°C up to 125°C .
10. TC Temperature coefficient $0 \pm 300 \text{ (ppm/^{\circ}\text{C})}$
11. Current rating: 10 amps.
12. Rotational life: 10,000 turns.

TOLERANCES: (EXCEPT AS NOTED)		SPRAGUE GOODMAN ELECTRONICS INC. 1700 SHAMES DRIVE WESTBURY, NY 11590		
DECIMAL: $\pm 0.002 \text{ in}$ $\pm 0.051 \text{ mm}$	MATERIAL:	SCALE: 2:1	DRAWN BY: R. LEVIN	APPROVED: D. DITLYA
FRACTIONAL: 1/64	TITLE: OUTLINE DWG SGNMNC1106		USED FOR:	
ANGULAR: 1°	DATE: 06/08/14	DRAWING NUMBER SGNMNC1106		REV. 00